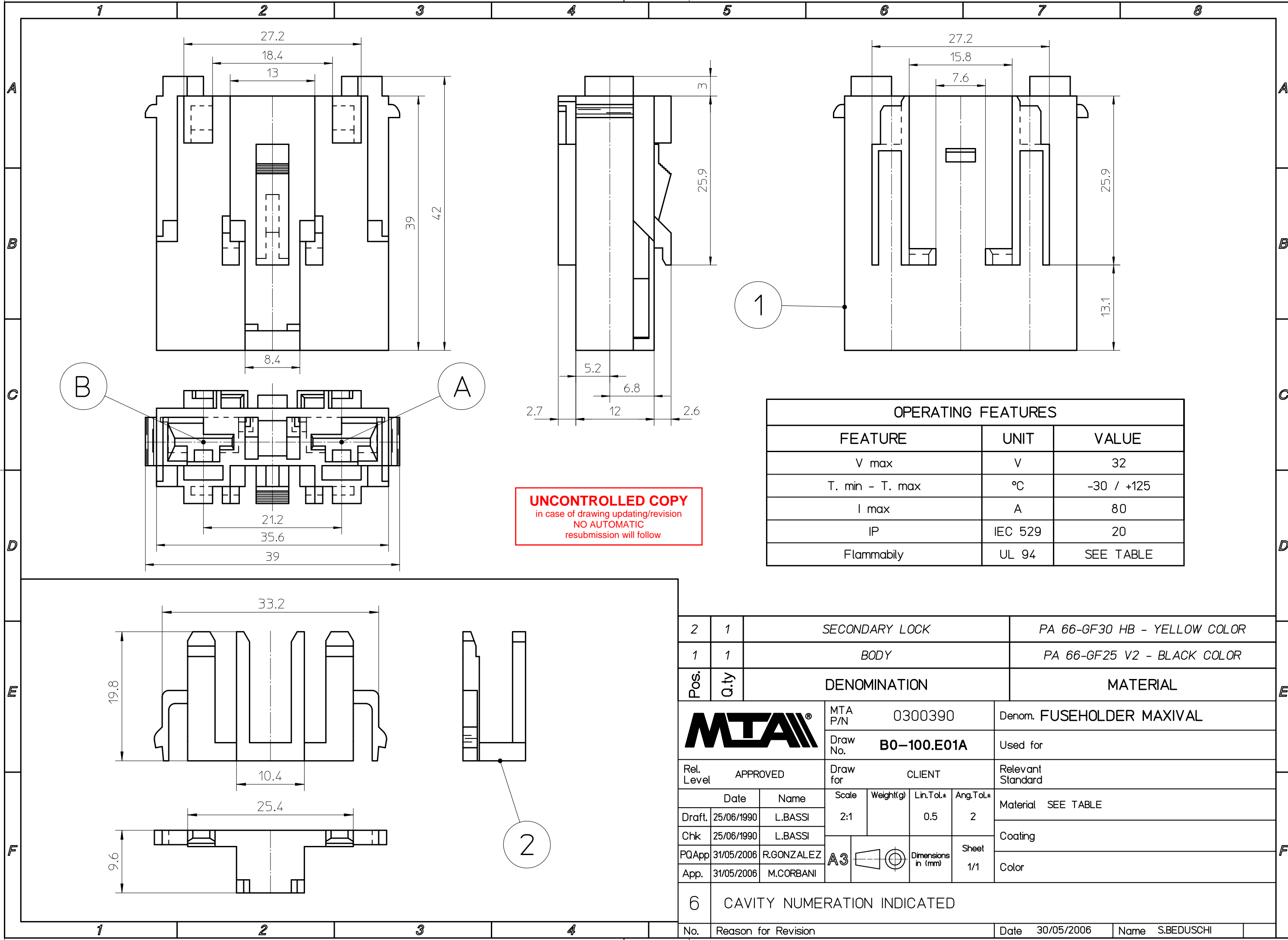


All proprietary rights reserved by MTA S.p.A. - This drawing shall not be reproduced, or in any way utilized, for the manufacture of the component or unit herein illustrated and must not be released to other parties, without written consent. Any infringement will be legally pursued.



UNCONTROLLED COPY
 in case of drawing updating/revision
 NO AUTOMATIC
 resubmission will follow

OPERATING FEATURES		
FEATURE	UNIT	VALUE
V max	V	32
T. min - T. max	°C	-30 / +125
I max	A	80
IP	IEC 529	20
Flammability	UL 94	SEE TABLE

2	1	SECONDARY LOCK	PA 66-GF30 HB - YELLOW COLOR
1	1	BODY	PA 66-GF25 V2 - BLACK COLOR
Pos.	Q.ty	DENOMINATION	MATERIAL
		MTA P/N 0300390	Denom. FUSEHOLDER MAXIVAL
		Draw No. B0-100.E01A	Used for
Rel. Level APPROVED		Draw for CLIENT	Relevant Standard
	Date	Name	Scale
Draft	25/06/1990	L.BASSI	2:1
Chk	25/06/1990	L.BASSI	Weight(g)
PQApp	31/05/2006	R.GONZALEZ	Lin.Tol.±
App.	31/05/2006	M.CORBANI	Ang.Tol.±
		A3	Sheet 1/1
		Dimensions in (mm)	
6 CAVITY NUMERATION INDICATED			
No.	Reason for Revision		Date 30/05/2006
		Name S.BEDUSCHI	