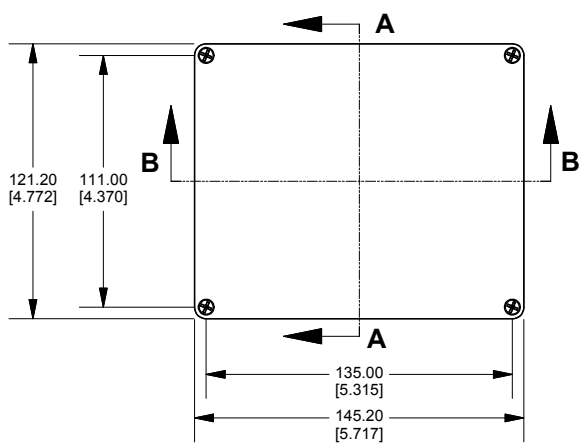
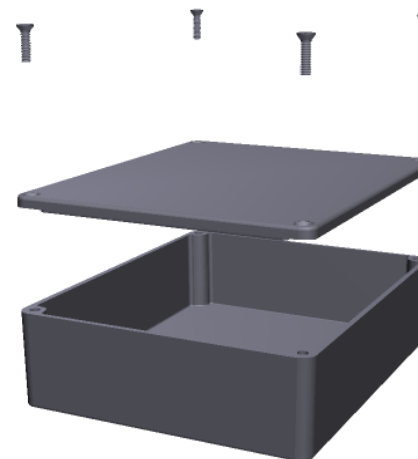
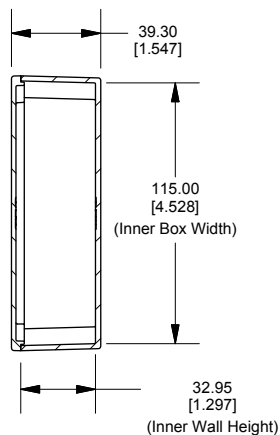


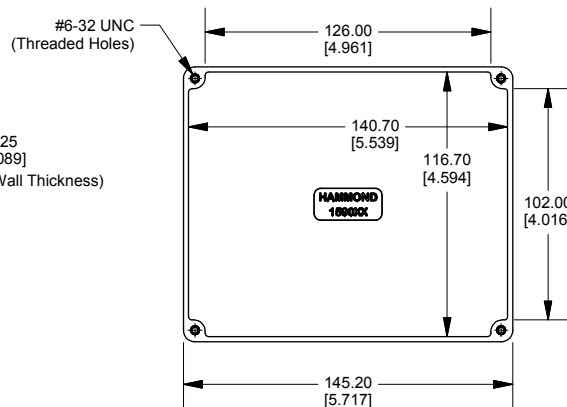
**TOP VIEW OF ASSEMBLY**



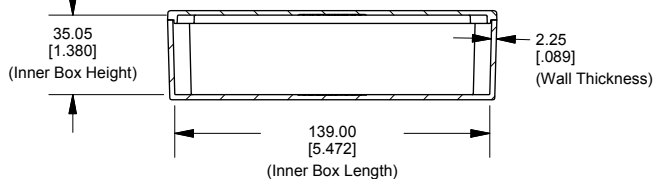
**SECTION A-A  
END VIEW OF ASSEMBLY**



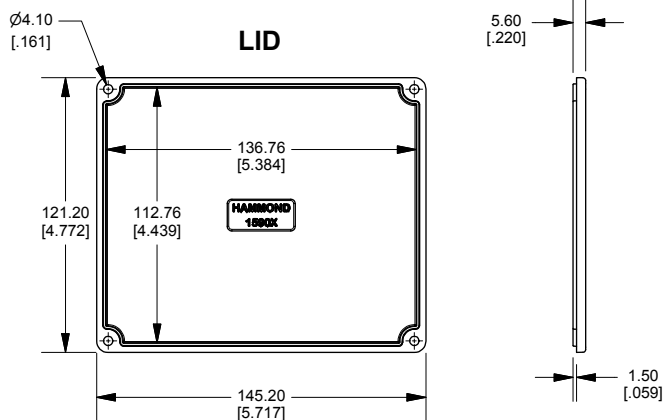
**TOP VIEW LOOKING INSIDE BOX**



**SECTION B-B  
SIDE VIEW OF ASSEMBLY**



**LID**



Enclosures can be Factory Modified ( Milling, Drilling, Printing etc.)  
 Contact Factory [mjm@hammondmfg.com](mailto:mjm@hammondmfg.com) for quotes  
 Solid models of this enclosure available in STEP or IGES.

**NOTE**

Purchased assembly includes box, lid and 4 cover screws.  
 Box and lid are made from Diecast Aluminum Alloy.  
 Silicone Gasket supplied with liquid resistant enclosure.

**PART NUMBERS**

1590XX Enclosure	
Natural Finish Enclosure	1590XX
Black Textured Enclosure	1590XXBK
1590XX Liquid Resistant Enclosure (Silicone Gasket)	
Natural Finish Enclosure	1590WXX
Black Textured Enclosure	1590WXXBK

**ACCESSORIES**

Recommended Torque: 75 ozf.in / 55 cN.m

**Liquid Resistant Cover Screws**

Stainless Steel Cover Screws (Pkg 100) [6-32 x 1/2" With O-Ring]	1590WMS100
Black Stainless Steel Cover Screws (Pkg 100) [6-32 x 1/2" With O-Ring]	1590WMS100BK

**Standard Cover Screws**

Plated Cover Screws (Pkg 100) [6-32 x 1/2"]	1590MS100
Black Cover Screws (Pkg 100) [6-32 x 1/2"]	1590MS100BK

**HAMMOND  
MANUFACTURING™**

**1590XX**

[www.hammondmfg.com](http://www.hammondmfg.com)

Dimensions:  
 mm  
 [inches]