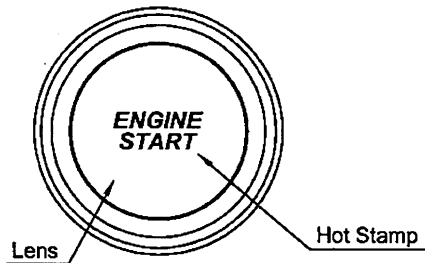
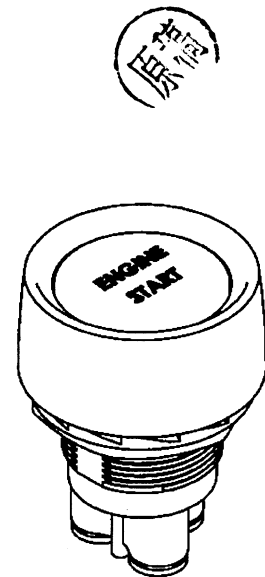
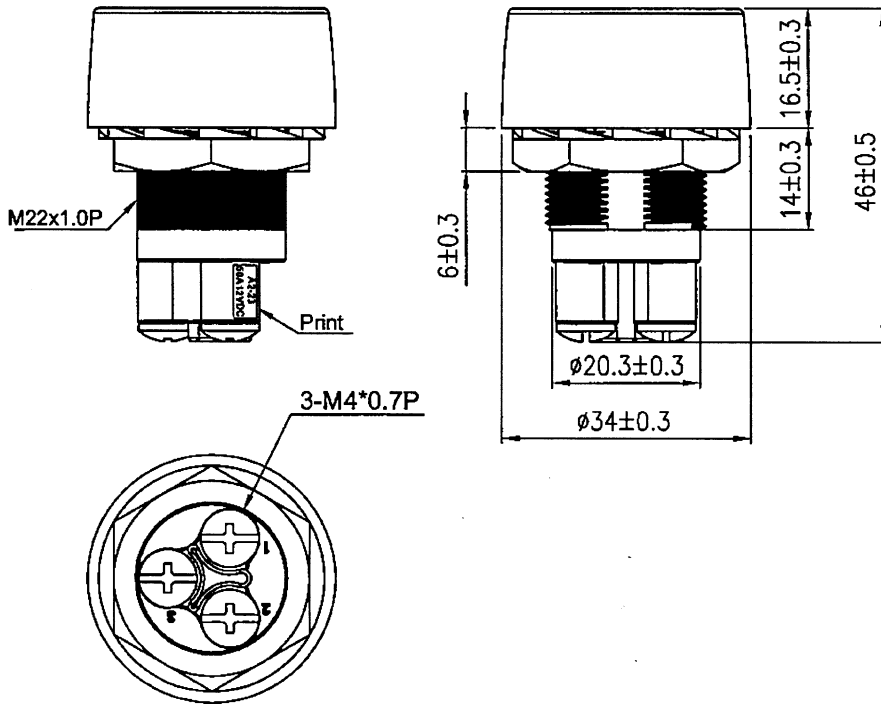


Rating	50A 12VDC		Circuit Diagram
Contact Resistance	50m ohm Max.		
Insulation Resistance	DC 500V 100m ohm Min.		
Dielectric Strength	AC 1500V 1 minute		
Operation Temperature	-25°C~85°C		
Switch Function	3P SPST (ON)-OFF (LED)	Thickness:9.0mm max.	Thickness:9.0mm max.

LED Color	LED Lens Color	VF	IF	View Angle	Mcd
Red	White diffuse	2.2V	20mA	100°	120



MATERIAL:
 Frame: Nylon 66 (94V-2), Black
 Cover: ABS (94HB)
 Terminals: Copper Alloy
 Contacts: Copper Alloy+AgSnO2InO3
 LED: $\phi 5.0$ White diffused
 Actuator: PC (94V-2), Red
 Hot stamping: White



C81A21A2-23B-07(1110061)

								△
								△
Date	Name	Description						NO
Drawn	Checked	Approved	SCI BOM NO.	1110061	Model Name	PUSH SWITCH		
曹盈芳			Customer No.		Model No.	A2-23B-07		Rev.
11/09/11			Unit	mm	Shin Chin Industrial Co., Ltd.			0