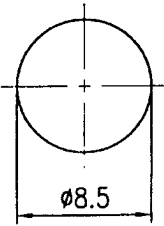
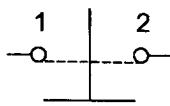
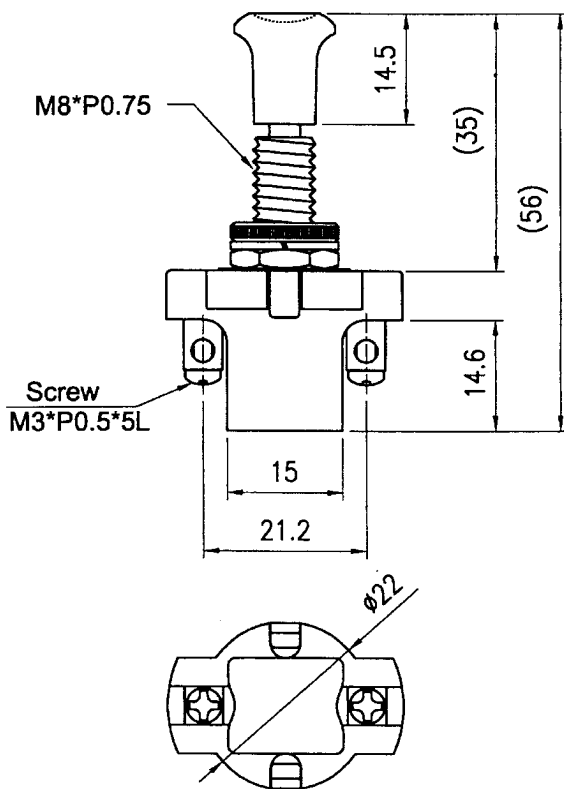
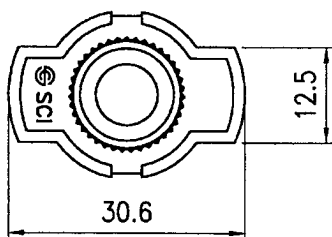


Rating	10A 12V DC		 2P SPST ON-OFF
Contact Resistance	50m ohm Max		
Insulation Resistance	DC 500V 100M ohm Min.		
Dielectric Strength	AC 1500V 1 minute		
Switch Function	PUSH-OFF/PULL-ON		

Material:
Frame: Black, PF
Cover: Nickel Plated, SPCC
Actuator: Black, ABS
Screw: Nickel Plated, SS41



Tolerances ± 0.5 Unless Otherwise Specified

								△	
								△	
Date		Name		Description				NO	
Drawn	Checked	Approved	SCI BOM NO.	1120024	Model Name	PUSH PULL SWITCH			
黃洋	<i>Handwritten</i>	<i>Handwritten</i>	Customer No.		Model No.	A3-5BA		Rev.	
4/1/15	<i>4/2-15</i>	<i>4/3-15</i>	Unit	mm	Shin Chin Industrial Co., Ltd.				0