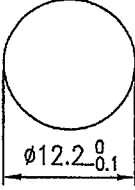
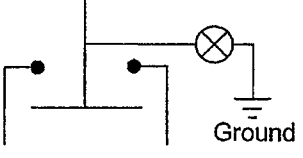
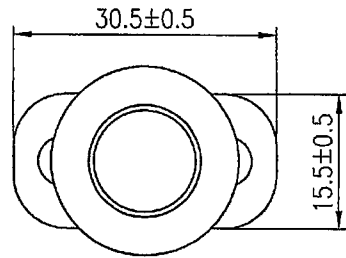
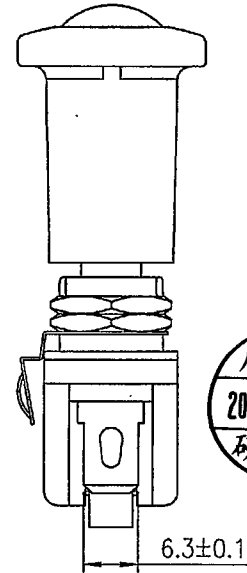
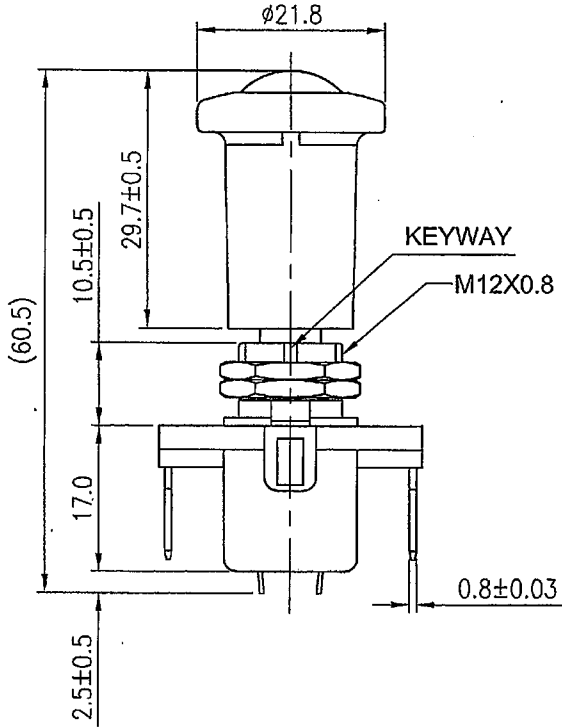


| | | | |
|-----------------------|----------------------------------|--|---|
| Rating | 10A 12V DC |  |  |
| Contact Resistance | 50m ohm Max. | | |
| Insulation Resistance | DC 500V 100M ohm Min. | | |
| Dielectric Strength | AC 1500V 1 minute | | |
| Switch Function | PUSH/PULL OFF-ON(Bulb dependent) | | |



Material:
 Frame: Black, PF
 Actuator: Black, Nylon#66
 Lens: Red, PC



原稿
 2017.8.07
 研發部

1 - Tolerances ± 0.3 Unless Otherwise Specified

| | | | | | | | | |
|----------|---------|-------------|-------------|---------|--------------------------------|------------------|------|---|
| | | | | | | | | △ |
| | | | | | | | | △ |
| | | | | | | | | △ |
| Date | Name | Description | | | | | No. | |
| Drawn | Checked | Approved | SCI BOM No | 1120047 | Model Name | PUSH PULL SWITCH | | |
| 曾敏捷 | | | Customer No | | Model No. | A3-7A-01 | Rev. | |
| 08/02/17 | 8/3-17 | 8/4-17 | Unit | mm | Shin Chin Industrial Co., Ltd. | | | 0 |