

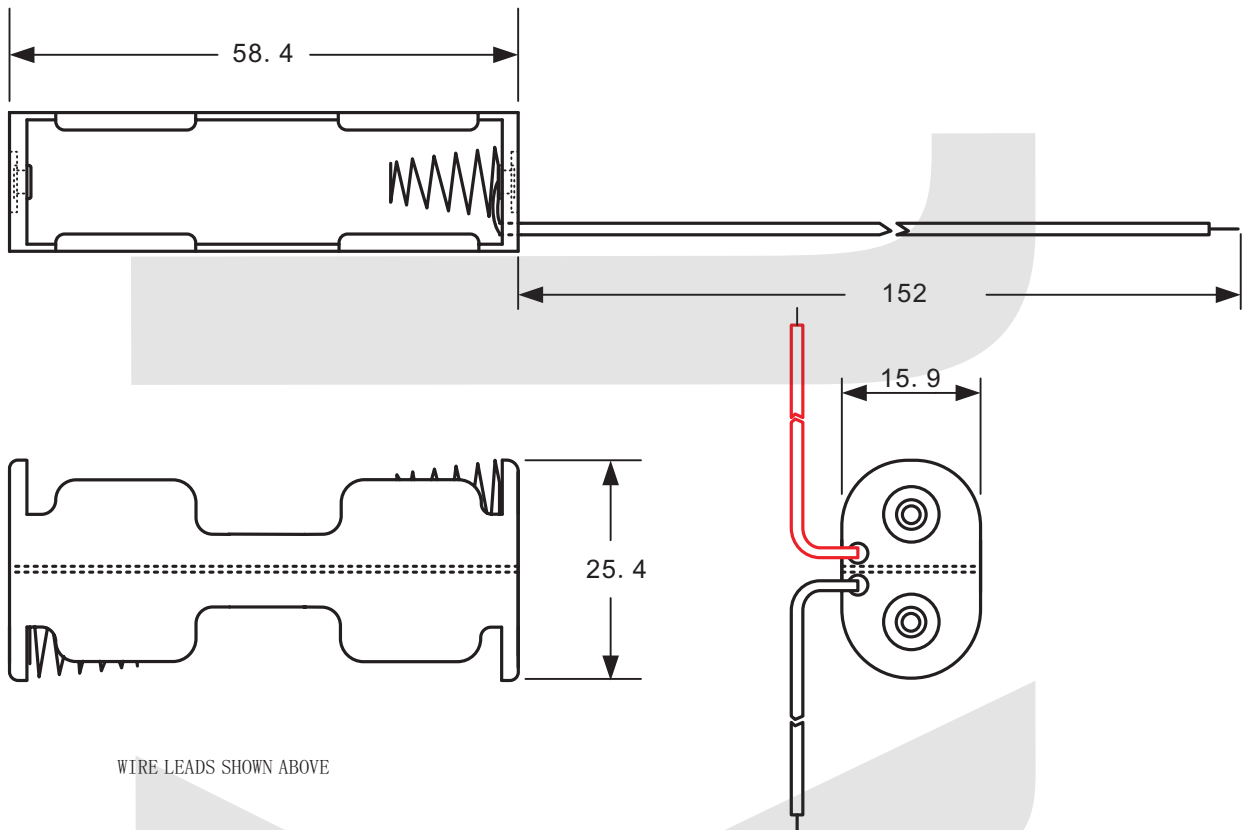
FUSE AND FUSE HOLDER



Cell Box Series

KLS5-803 UM-3 OR "AA" Cell Box Series

WIRE: UL 1007, # 26 AWG
BLACK & RED: 150 MM ± 5MM
STRIP & TIN: 5 MM ± 1MM
MATERIAL: A. B. S. RESIN BLACK COLOR
SPRING: .6 MM 65C SPRING WIRE
DESCR.: FOR ONE "AA" CELLS



ORDER INFORMATION

Product NO.: **KLS5-803-B**

Part Number
Cell Box Series

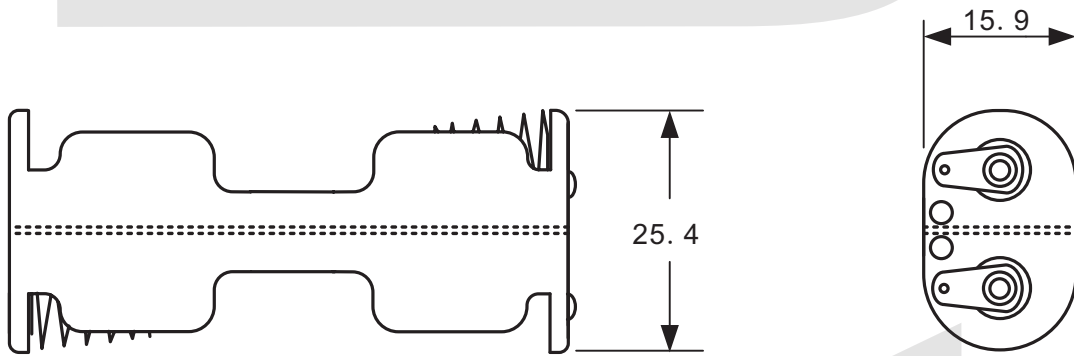
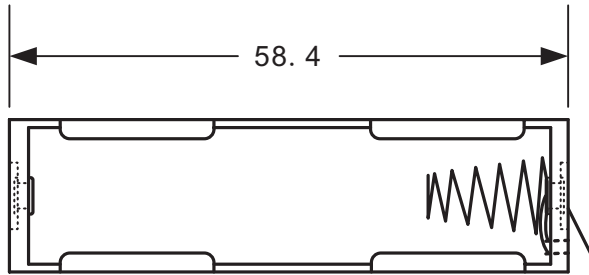
TYPE:
A:With Soldered lug
B:With Wire L=15cm or other
C:With 6 Prong snap

FUSE AND FUSE HOLDER

Cell Box Series

KLS5-803 UM-3 OR "AA" Cell Box Series

WIRE: UL 1007, # 26 AWG
BLACK & RED: 150 MM ± 5MM
STRIP & TIN: 5 MM ± 1MM
MATERIAL: A. B. S. RESIN BLACK COLOR
SPRING: .6 MM 65C SPRING WIRE
DESCR.: FOR ONE "AA" CELLS



WIRE LEADS SHOWN ABOVE

ORDER INFORMATION

Product NO.: **KLS5-803-A**

Part Number
Cell Box Series

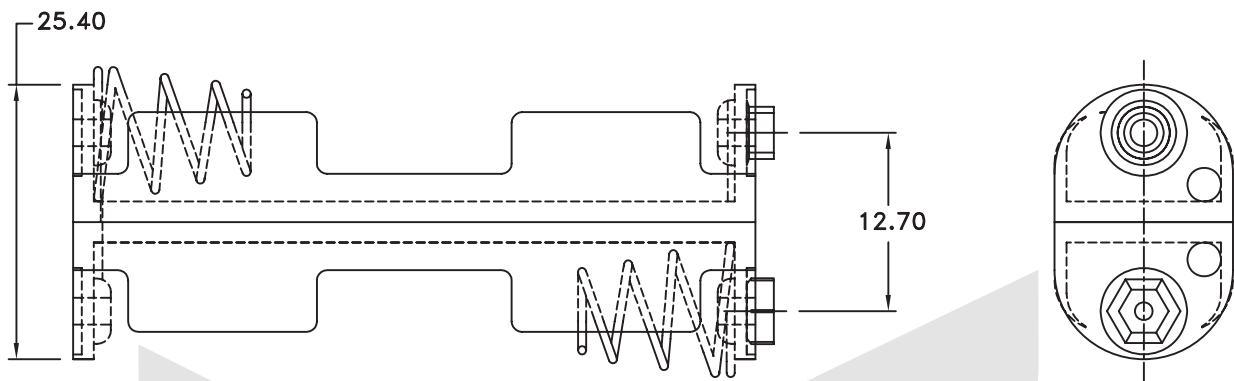
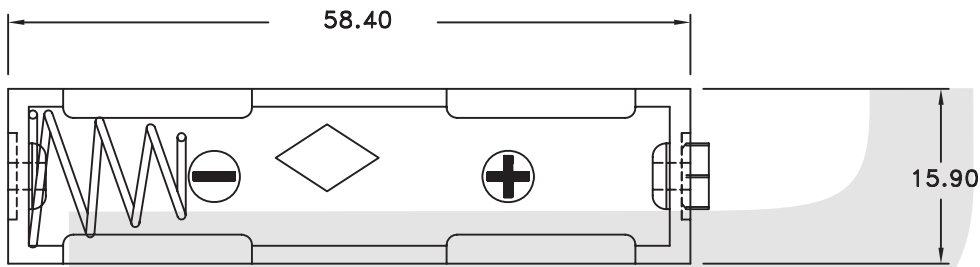
TYPE:
A:With Soldered lug
B:With Wire L=15cm or other
C:With 6 Prong snap

FUSE AND FUSE HOLDER

Cell Box Series

KLS5-803 UM-3 OR "AA" Cell Box Series

WIRE: UL 1007, # 26 AWG
BLACK & RED: 150 MM ± 5MM
STRIP & TIN: 5 MM ± 1MM
MATERIAL: A. B. S. RESIN BLACK COLOR
SPRING: .6 MM 65C SPRING WIRE
DESCR.: FOR ONE "AA" CELLS



ORDER INFORMATION

Product NO.: **KLS5-803-C**

Part Number
Cell Box Series

TYPE:
A: With Soldered lug
B: With Wire L=15cm or other
C: With 6 Prong snap