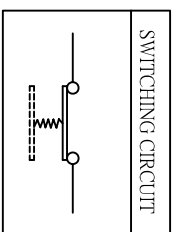
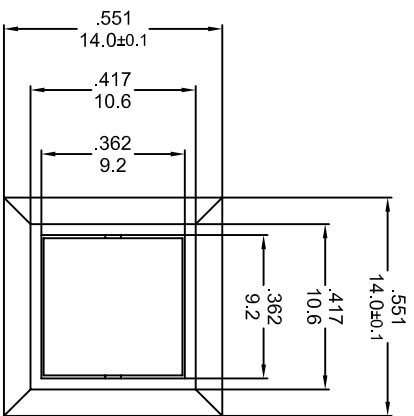
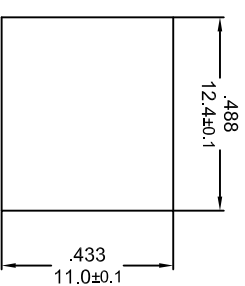
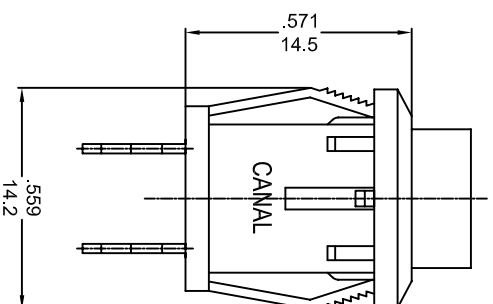
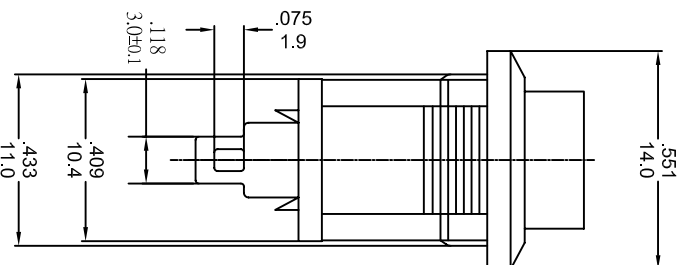
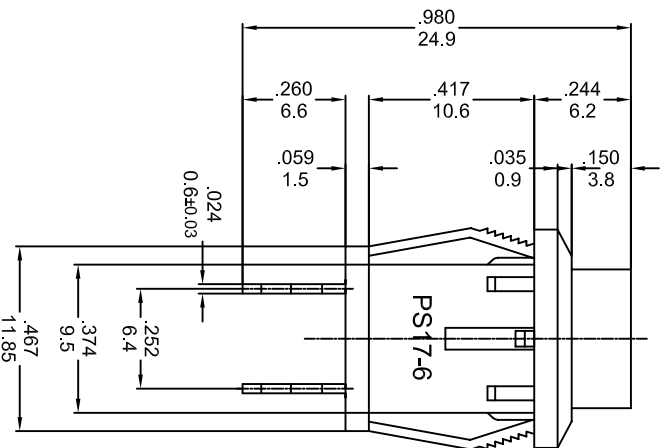


嘉尼企業股份有限公司 CANAL ELECTRONIC CO.,LTD.



PUSH SWITCH MODEL PS17-6 SERIES
 RATING: 1A 125VAC
 INSULATION RESISTANCE: 100MΩ(MIN), DC 500V
 DIELECTRIC STRENGTH: 1000VAC FOR 1 MINUTE
 CONTACT RESISTANCE : 20mΩ(MAX).
 ON-(OFF) = PUSH OFF



MOUNTING HOLE

NOTE: TOLERANCES UNLESS OTHERWISE SPECIFIED: ± .012/0.3 (in/mm)

REVISION	DESCRIPTION	REVISED BY	TOLERANCES		ANGLE	SCALE	UNIT	PART NAME	SPEC DRAWING	DWG NO
△		趙超	DRAWN BY	趙超	1/2	2/1	mm			
△	2015.08.17 依新標準重新出圖。	趙超	CHECKED BY	[Signature]						
△	2006.05.09 增加動作力規格, 重新出圖。	孫斌	DESIGNED BY	蔡劍						
△	2005.12.16 首次出圖	孫斌	APPROVED BY	[Signature]						
			DATE	2015.08.17				PART NO	PS17-6B1**-C	S1198C