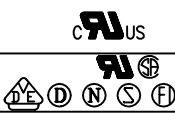
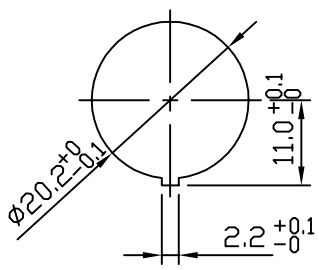
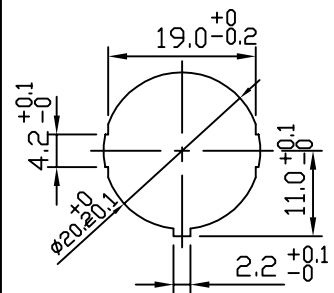
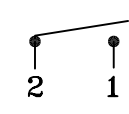
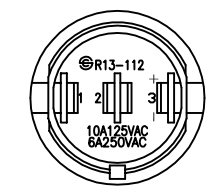
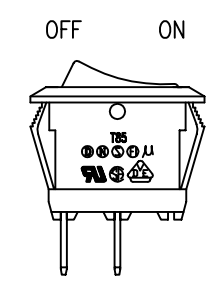
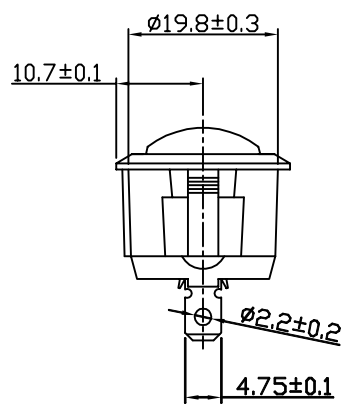
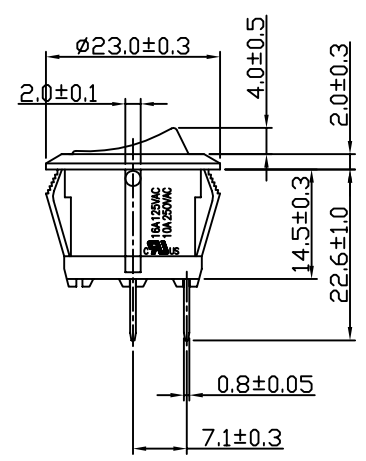
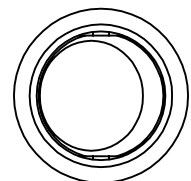


Rating	16A 125VAC		Mounting Hole	
	10A 250VAC			
Contact Resistance	50m ohm Max.			
Insulation Resistance	DC 500V 100M ohm Min.		Thickness:2.0~3.0	
Dielectric Strength	AC 1500V 1 minute		Thickness:0.7~3.0	
Operation Temperature	-20°C~85°C			
Switch Function	2P SPST ON-OFF			

**Circuit Diagram**



Material:  
 Frame: White Gloss finish, Nylon#66  
 Actuator: White Gloss finish, Nylon#66



C8\R13\R13-112A5-02(1821889)

Date		Name		Description				NO	
Drawn	Checked	Approved	SCI BOM NO	1821889	Model Name	ROCKER SWITCH			
曹盈芳		王佰山	Customer No.		Model No.	R13-112A5-02	REV.		0
01/12/'09		01/12/'09	Unit	mm	SHIN CHIN INDUSTRIAL CO., LTD.				