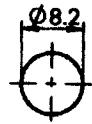
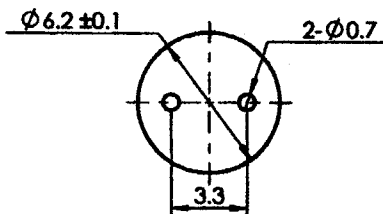
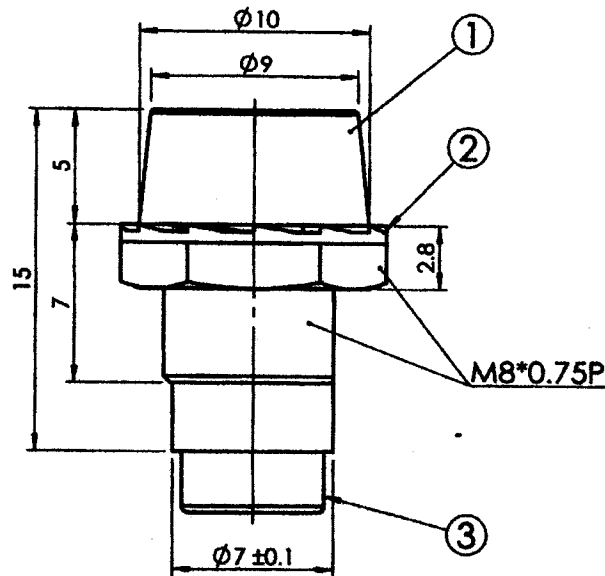


Mounting Hole



Panel Thickness: 4.0 max



Parts List

No.	Parts name	Material	Finish	Remark
1	Housing	PC+ABS		R9-107L-1
2	Nut	POM		R9-107L-2
3	Base	NR		R9-4815-2

Remark:

1. Be Applicable To $\phi 5$ LED
2. Unless Otherwise Specified
All Tolerances To Be ± 0.2
3. ROHS Compliant

Date	Name	Descriptions					△ NO
Drawn	Checked	Approved	SCI No.		Model Name	LED Holder	
鍾運類	研發部 謝子立		Customer No.		Model No.	R9-107L	
07.03.07	李元康		Unit	mm	SHIN CHIN INDUSTRIAL CO., LTD.		