



TOYO LED ELECTRONICS LIMITED

Room 1610, Hong Kong Plaza, 188 Connaught Road West, Hong Kong.

Tel : (852) 2540 7288
http://www.toyo-led.com

Fax : (852) 2517 1797
E-mail : sales@toyo-led.com



P/N: TY-3528UY1-480

3.5 * 2.8mm TOP SMD Series

SPECIFICATION FOR CUSTOMER APPROVAL

P/N:TY-3528UY1-480

DATE : December 18, 2015

PREPARED BY : Chen Li fen

CONFIRMED BY : Yan Guo liang

PLEASE CONFIRM & SIGN BACK THIS SHEET TO US

CUSTOMER: _____

APPROVAL BY: _____

(COMPANY CHOP)

(SIGNATURE)



TOYO LED ELECTRONICS LIMITED

Room 1610, Hong Kong Plaza, 188 Connaught Road West, Hong Kong.

Tel : (852) 2540 7288
http://www.toyo-led.com

Fax : (852) 2517 1797
E-mail : sales@toyo-led.com



P/N: TY-3528UY1-480

3.5 * 2.8mm TOP SMD Series

◇ **Features:**

- 3.5mm×2.8mm SMT LED , 1.90mm thickness
- PLCC-2package
- White package
- Suitable for all SMT assembly and solder process
- Available on 8mm tape and on 178mm reel

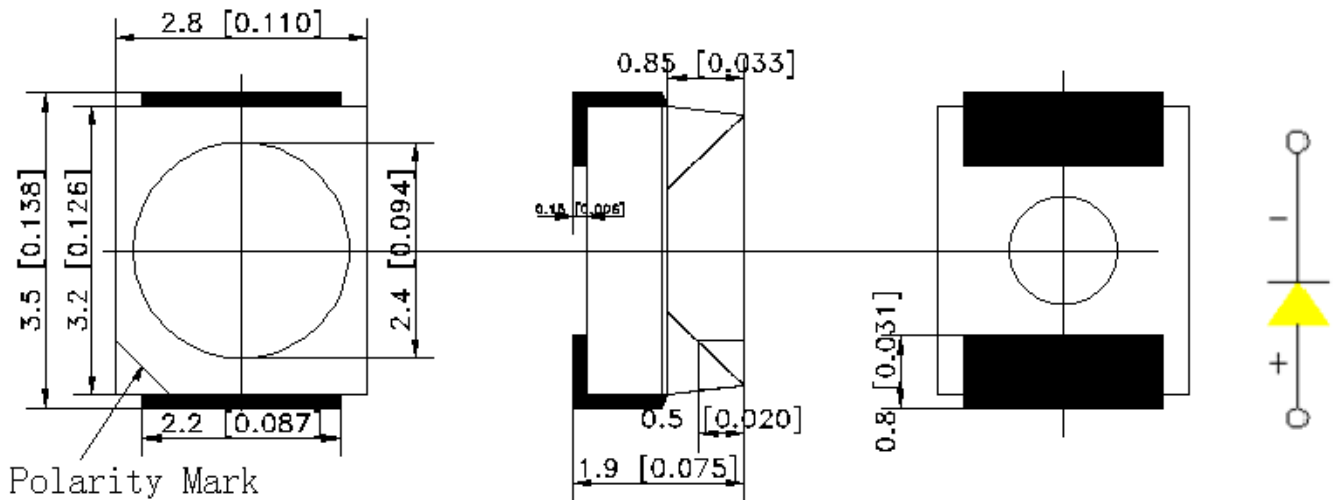
◇ **Description**

The Yellow source color devices are made with AlGaInP on sapphire Light Emitting Diode.

◇ **Application**

- Optical indicator
- Indicator and backlighting in telephone and fax
- Flat backlight for LCD, switch and symbol
- Light pipe application
- General use

◇ **Package Outline Dimensions**



NOTES :

1. All dimensions are in millimeter;
2. Tolerance is ± 0.2 mm unless other specified;
3. Specifications are subject to change without notice.



TOYO LED ELECTRONICS LIMITED

Room 1610, Hong Kong Plaza, 188 Connaught Road West, Hong Kong.

Tel : (852) 2540 7288
http://www.toyo-led.com

Fax : (852) 2517 1797
E-mail : sales@toyo-led.com



P/N: TY-3528UY1-480

3.5 * 2.8mm TOP SMD Series

Part No.	Emitted Color	Len's Color	Chip Material
TY-3528UY1-480	Yellow	Water clear	AlGaInP

◇ Absolute Maximum Ratings(Ta=25)

Item	Symbol	Maximum	Unit
Power Dissipation	P _D	90	mW
Forward Current	I _F	30	mA
Peak Forward Current(1/10 Duty Cycle 0.1ms Pulse Width)	I _{FP}	150	mA
Reverse Voltage	V _R	5	V
Operating Temperature Range	Topr / Tstg	-40 to+85	
Storage Temperature Range	Topr / Tstg	-40 to+85	

◇ Electrical/Optical Characteristics(Ta=25)

Item	Symbol	Condition	Min.	Typ.	Max	Unit
Forward Voltage	V _F	I _F =20mA	1.8	2.2	2.4	V
Luminous Intensity	I _v	I _F =20mA	300	480	---	mcd
Wavelength	λ	I _F =20mA	585	590	595	nm
Viewing Angle	2θ _{1/2}	I _F =20mA	--	120	--	deg
Reverse Current	I _R	V _R =5V	--	5	10	uA

NOTES:

1. Tolerance is ±0.25mm unless other specified;
2. Luminous intensity testing tolerance is ±10%;
3. Dominant Emission Wavelength testing tolerance is ±5%;
4. Specifications are subject to change without notice.



TOYO LED ELECTRONICS LIMITED

Room 1610, Hong Kong Plaza, 188 Connaught Road West, Hong Kong.

Tel : (852) 2540 7288
http://www.toyo-led.com

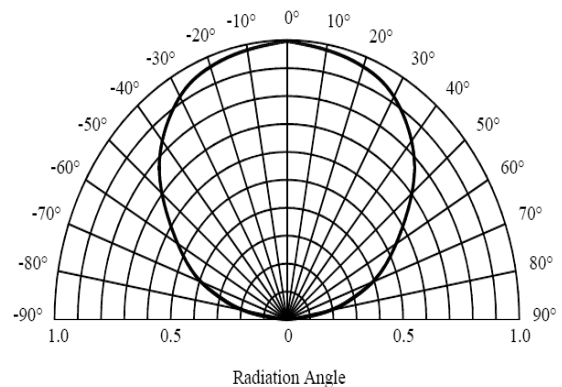
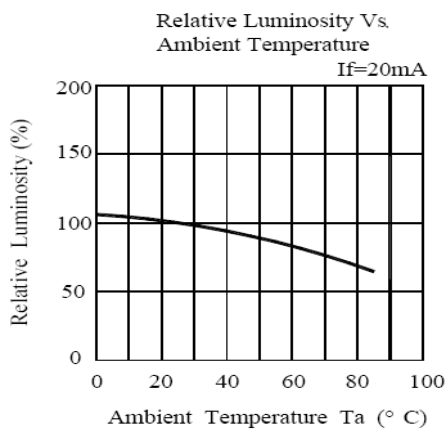
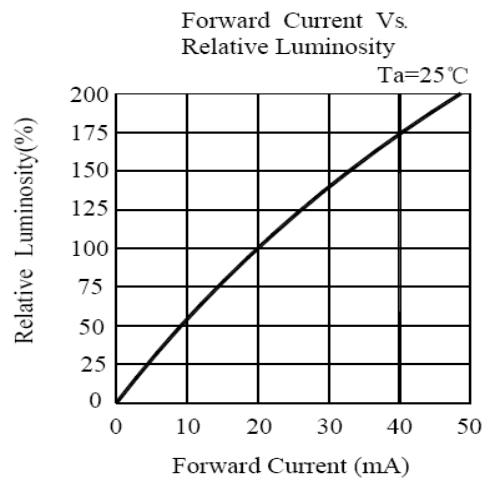
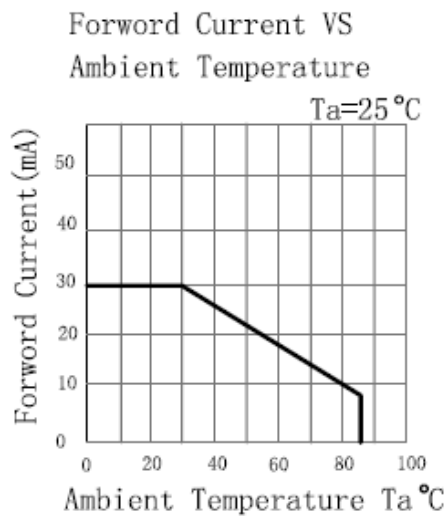
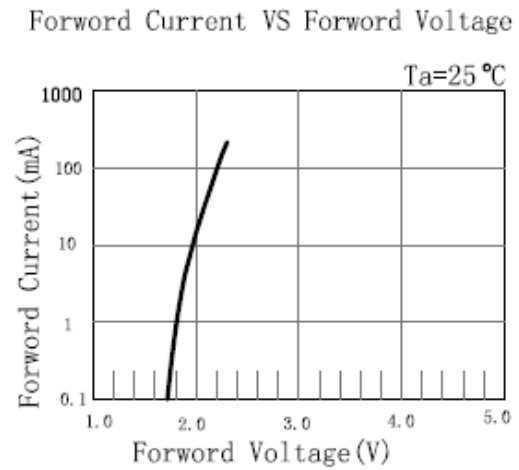
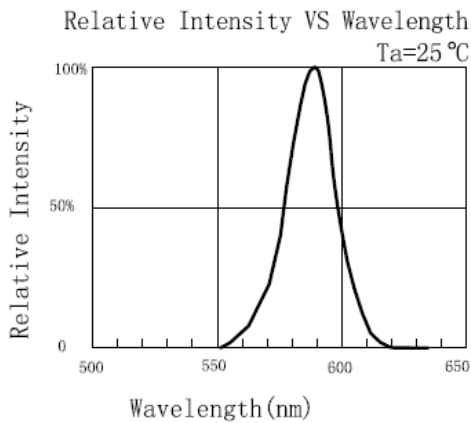
Fax : (852) 2517 1797
E-mail : sales@toyo-led.com



P/N: TY-3528UY1-480

3.5 * 2.8mm TOP SMD Series

◇ Typical Electro-Optical Characteristics Curves





TOYO LED ELECTRONICS LIMITED

Room 1610, Hong Kong Plaza, 188 Connaught Road West, Hong Kong.
 Tel : (852) 2540 7288 Fax : (852) 2517 1797
 http://www.toyo-led.com E-mail : sales@toyo-led.com



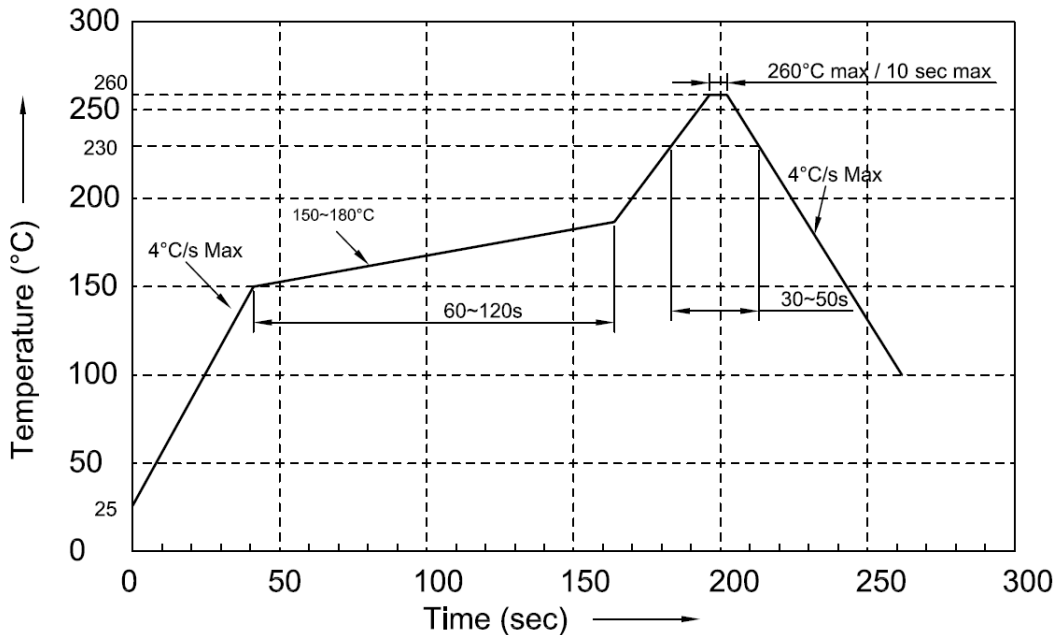
P/N: TY-3528UY1-480

3.5 * 2.8mm TOP SMD Series

Reliability Test Items And Conditions

NO.	Item	Test Condition	Test Hr/cycle/time	Sample Qty	Ac/Re
1	Reflow	TEMP:260±5 ; (3-7 sec)	6 min	22pcs	0/1
2	High Temperature /Humidity Storage	TEMP: 85 / R.H.:85%	1000hrs	22pcs	0/1
3	Low Temperature Storage	TEMP: -40	1000hrs	22pcs	0/1
4	DC Operating Life	If=20mA	1000hrs	22pcs	0/1

Recommended SMT Reflow Soldering Instructions



Notes:

1. We recommend the reflow temperature 245±5 .The maximum soldering temperature should be limited to 260 for 10s (max).
2. Don't cause stress to the epoxy resin while it is exposed to high temperature.
3. Number of reflow process shall be 2 times or less.



TOYO LED ELECTRONICS LIMITED

Room 1610, Hong Kong Plaza, 188 Connaught Road West, Hong Kong.

Tel : (852) 2540 7288
http://www.toyo-led.com

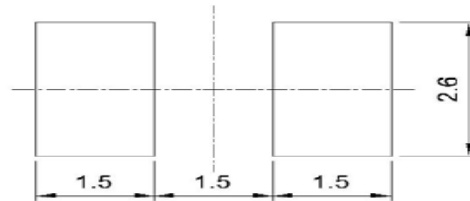
Fax : (852) 2517 1797
E-mail : sales@toyo-led.com



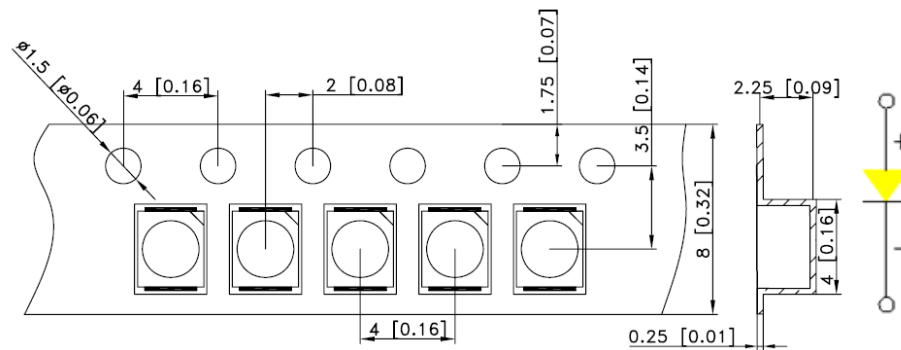
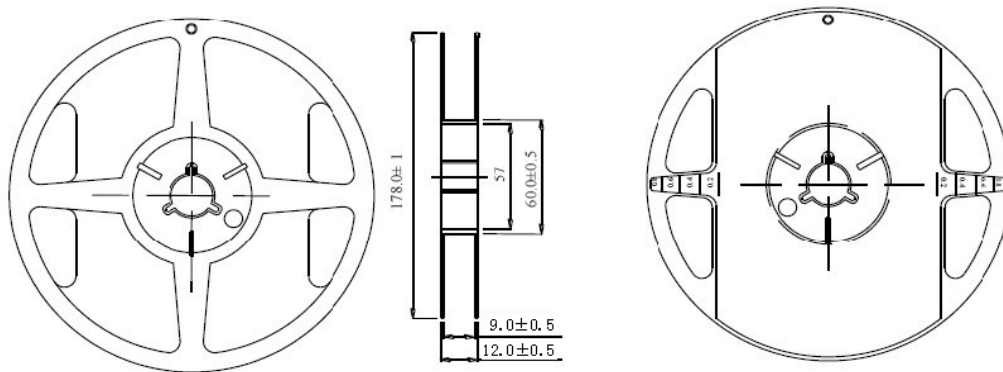
P/N: TY-3528UY1-480

3.5 * 2.8mm TOP SMD Series

Recommended Soldering Pad Dimensions



Tape Specification: 2,000pcs per reel



Package Label

SMD LED	
PART NO: _____	QA Pass
LOT NO : _____	
Q' TY : _____	
VF : _____ IV : _____	
WL : _____ BIN: _____	Pb
DATA : _____	
TOYO LED ELECTRONICS LIMITED	
Website: http://www.toyo-led.com E-mail: sales@toyo-led.com	



TOYO LED ELECTRONICS LIMITED

Room 1610, Hong Kong Plaza, 188 Connaught Road West, Hong Kong.

Tel : (852) 2540 7288
http://www.toyo-led.com

Fax : (852) 2517 1797
E-mail : sales@toyo-led.com



P/N: TY-3528UY1-480

3.5 * 2.8mm TOP SMD Series

◇ Package & Shipping Instructions

